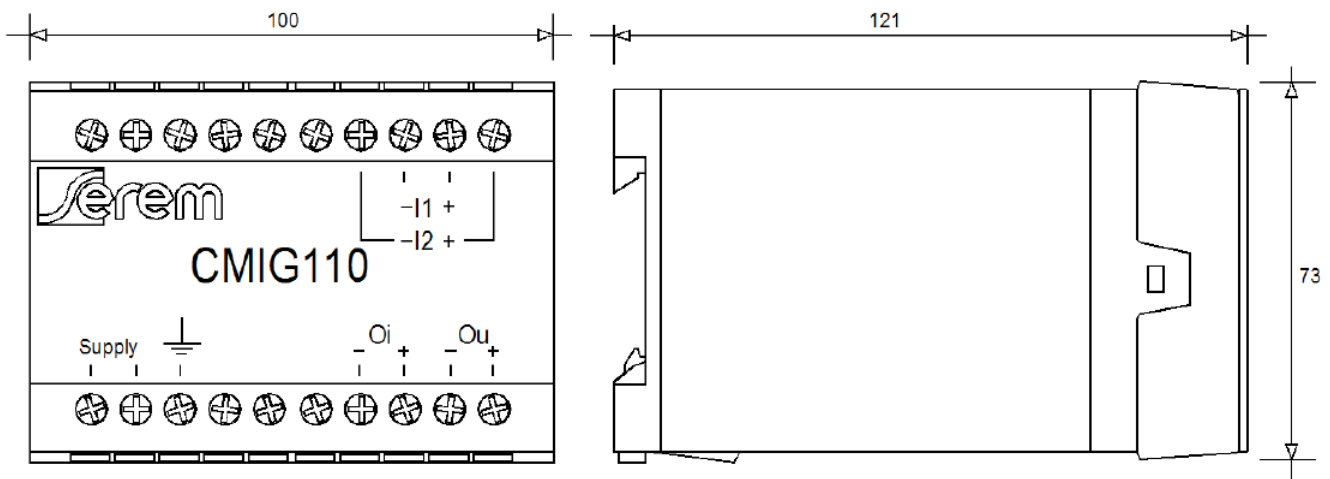


CMIG110

MEASUREMENT CONVERTER GALVANIC ISOLATION 11KV

DIMENSIONS



JUNCTIONS

TERMINAL	DESCRIPTION
1	N.A.
2	N.A.
3	N.A.
4	N.A.
5	N.A.
6	N.A.
7	Input I2- High Voltage
8	Input I1-
9	Input I1+
10	Input I2+ High Voltage
11	Aux. Supply / VDC-
12	Aux. Supply / VDC+
13	Ground
14	N.A.
15	N.A.
16	N.A.
17	Output Ou-
18	Output Ou+
19	Output Oi-
20	Output Oi+