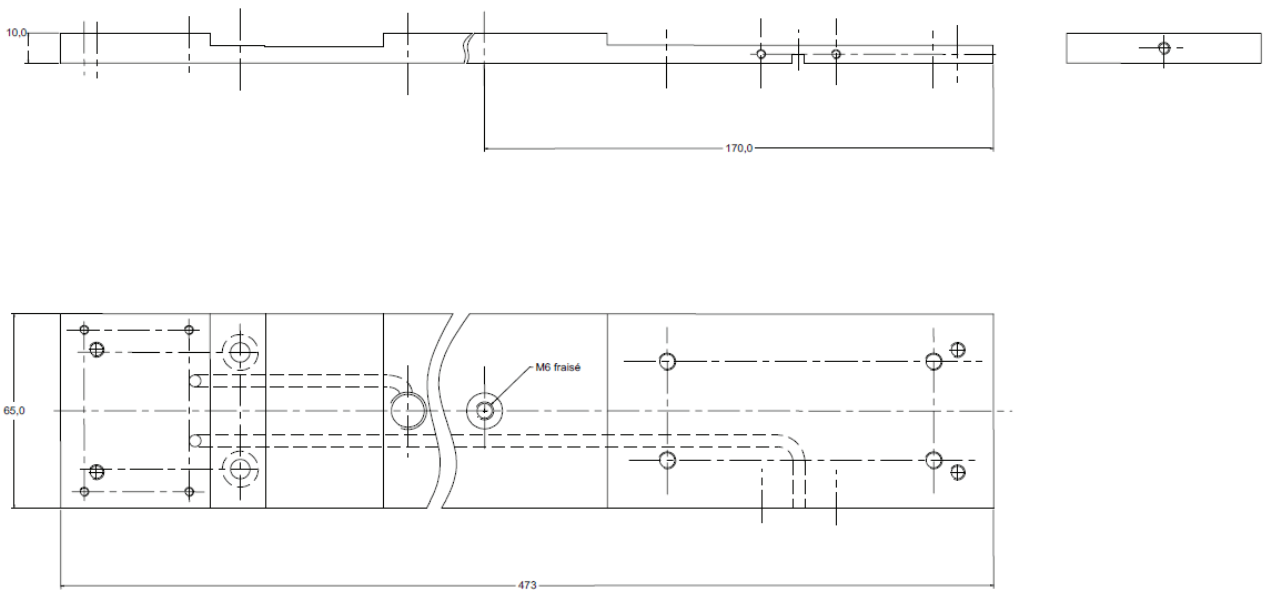


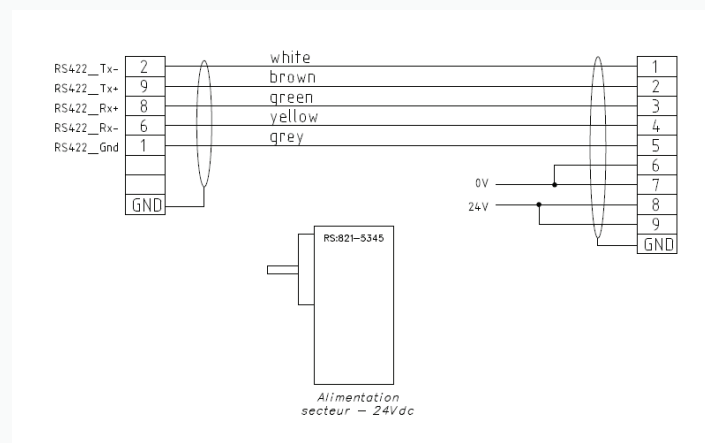
## ENR

## ENROULEUSE MECANIQUE

### DIMENSIONS DE LA SEMELLE



### RACCORDEMENT



	RS422 / SEREM MODULE	REWINDER ENR2
CONNECTOR	SUBD 9 F	SUBD 9 F
HOOD	Amp	Amp
CABLE	LIYCY 7x0.25 B	
LENGTH	5.00 m	
QUANTITY	1	