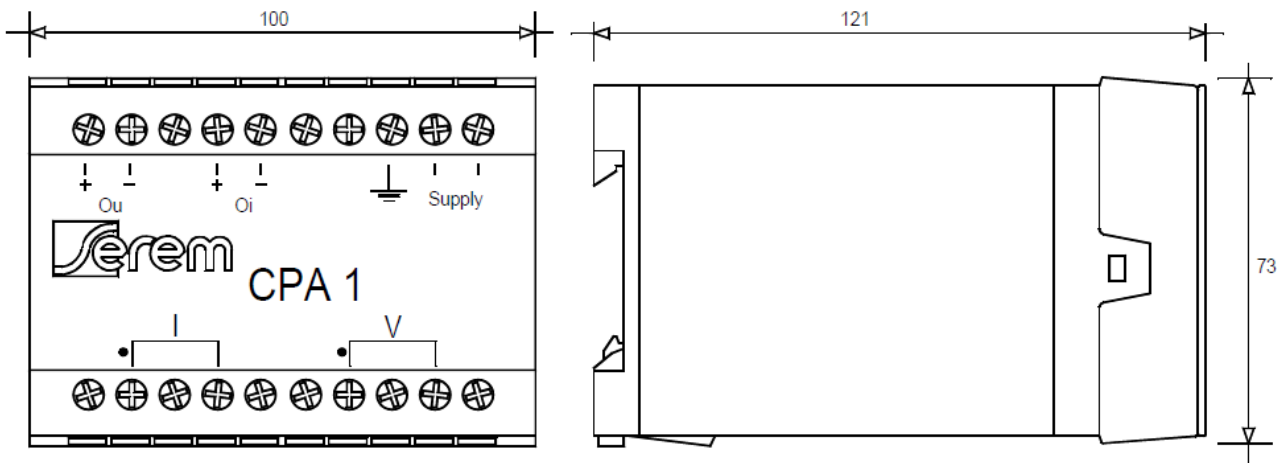


CPA1

1 CHANNEL ACTIVE POWER CONVERTER

DIMENSIONS



JUNCTIONS

TERMINAL	DESCRIPTION	
1	Output Ou+	
2	Output Ou-	
3	N.A.	
4	Output Oi+	
5	Output Oi-	
6	N.A.	
7	N.A.	
8	Ground	
9	Supply	115 or 230Vac / 50Hz
10	Supply	115 or 230Vac / 50Hz
11	N.A.	
12	Input I *	
13	N.A.	
14	Input I	
15	N.A.	
16	N.A.	
17	Input V *	
18	N.A.	
19	Input V	
20	N.A.	