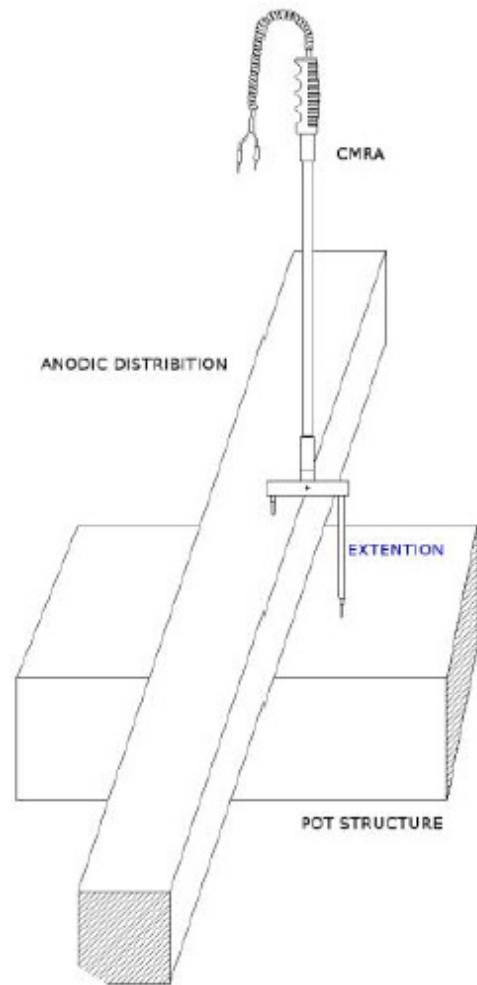
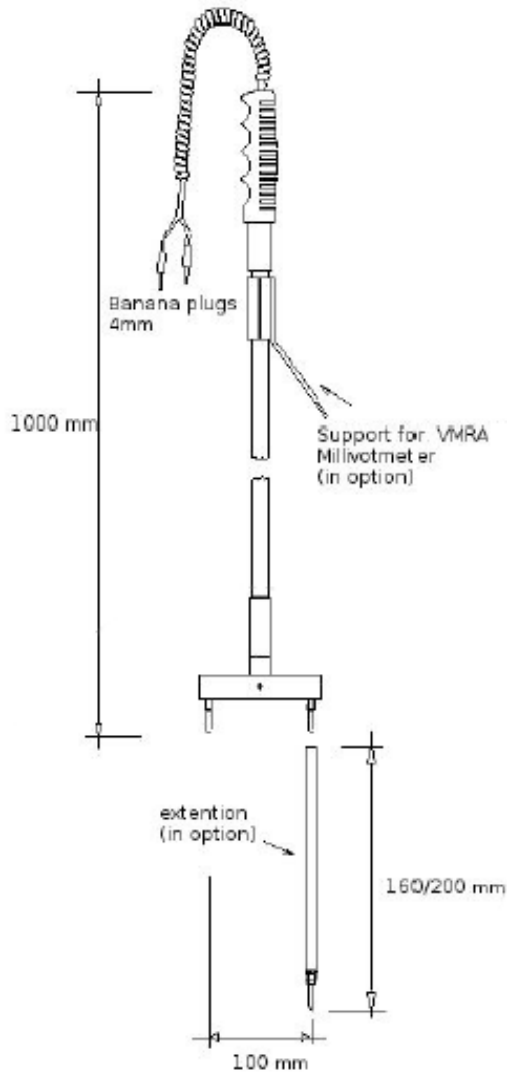


## CMRA

## ANODE VOLTAGE DISTRIBUTION MEASUREMENT STICK

### DIMENSIONS



### UTILIZATION

Connect the plugs to the VMRA-type voltmeter or the EDP-Portable Datalogger. Press the two tips of the measurement cane against the anode assembly stem below the anode beam. The tips must be vertically aligned, parallel to the anode assembly. Read the measurement voltage on digital display.

