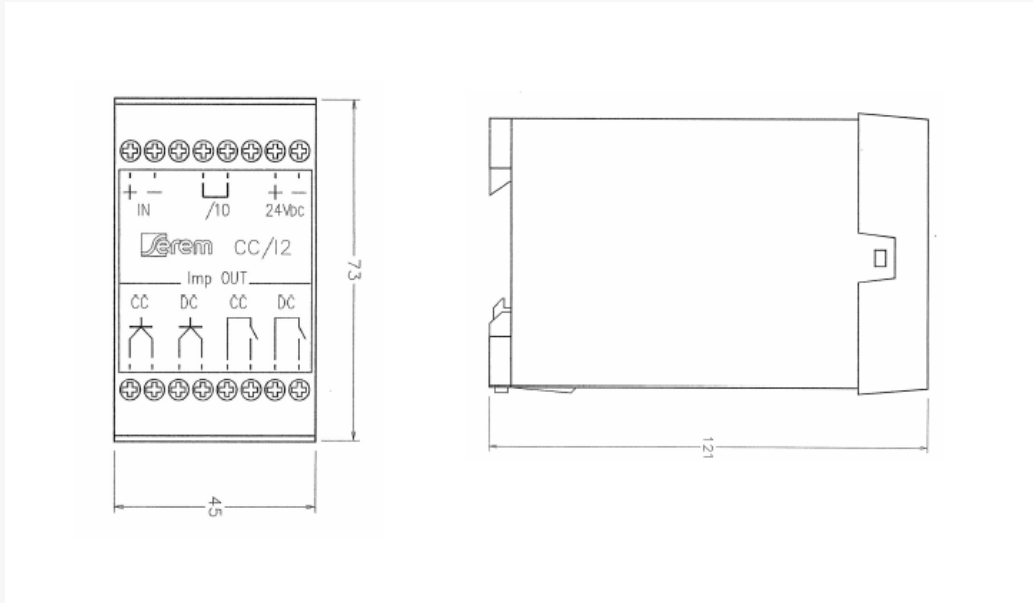


DCAH

AMPERE HOUR COUNTING DEVICE

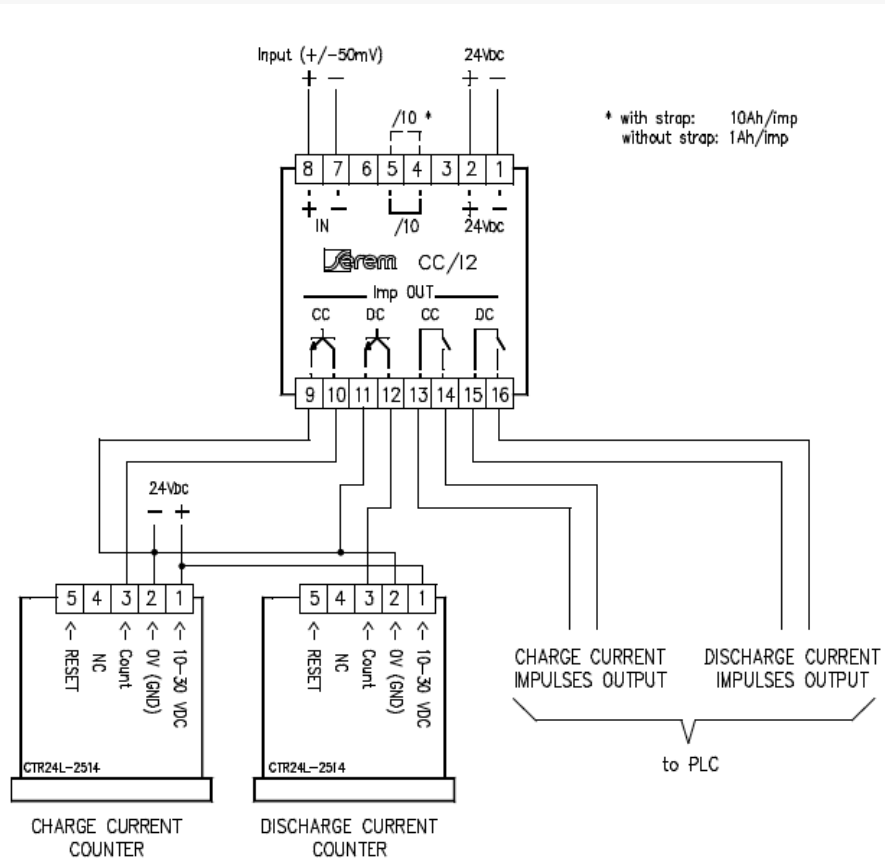
DIMENSIONS



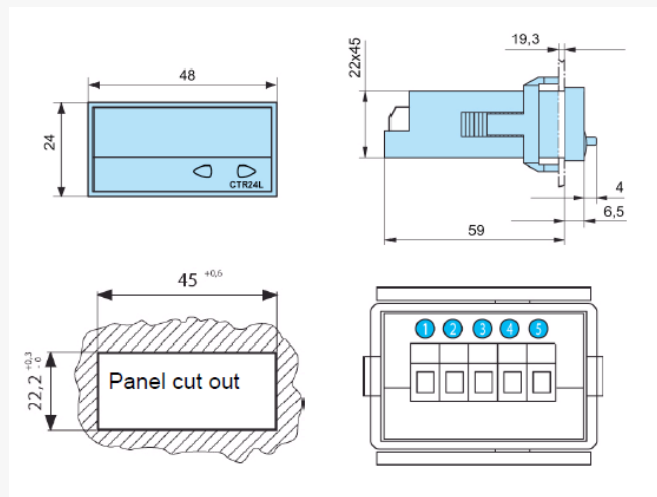
JUNCTIONS

TERMINAL	DESCRIPTION
1	Input IN+
2	Input IN-
3	N.A.
4	Strap for mode 10AH / impulse
5	Strap for mode 10AH / impulse
6	N.A.
7	Power Supply 24VDC
8	Power Supply 0VDC
9	Output - Open Collector NPN for charge count
10	Output + Open Collector NPN for charge count
11	Output - Open Collector NPN for discharge count
12	Output + Open Collector NPN for discharge count
13	Volt-free Output for charge count
14	Volt-free Output for charge count
15	Volt-free Output for discharge count
16	Volt-free Output for discharge count

WIRING DIAGRAM



DIMENSIONS / JUNCTIONS



TERMINAL

DESCRIPTION

1	Power Supply 20-30VDC
2	Power Ground
3	Input Count
4	N.A.
5	Input Reset