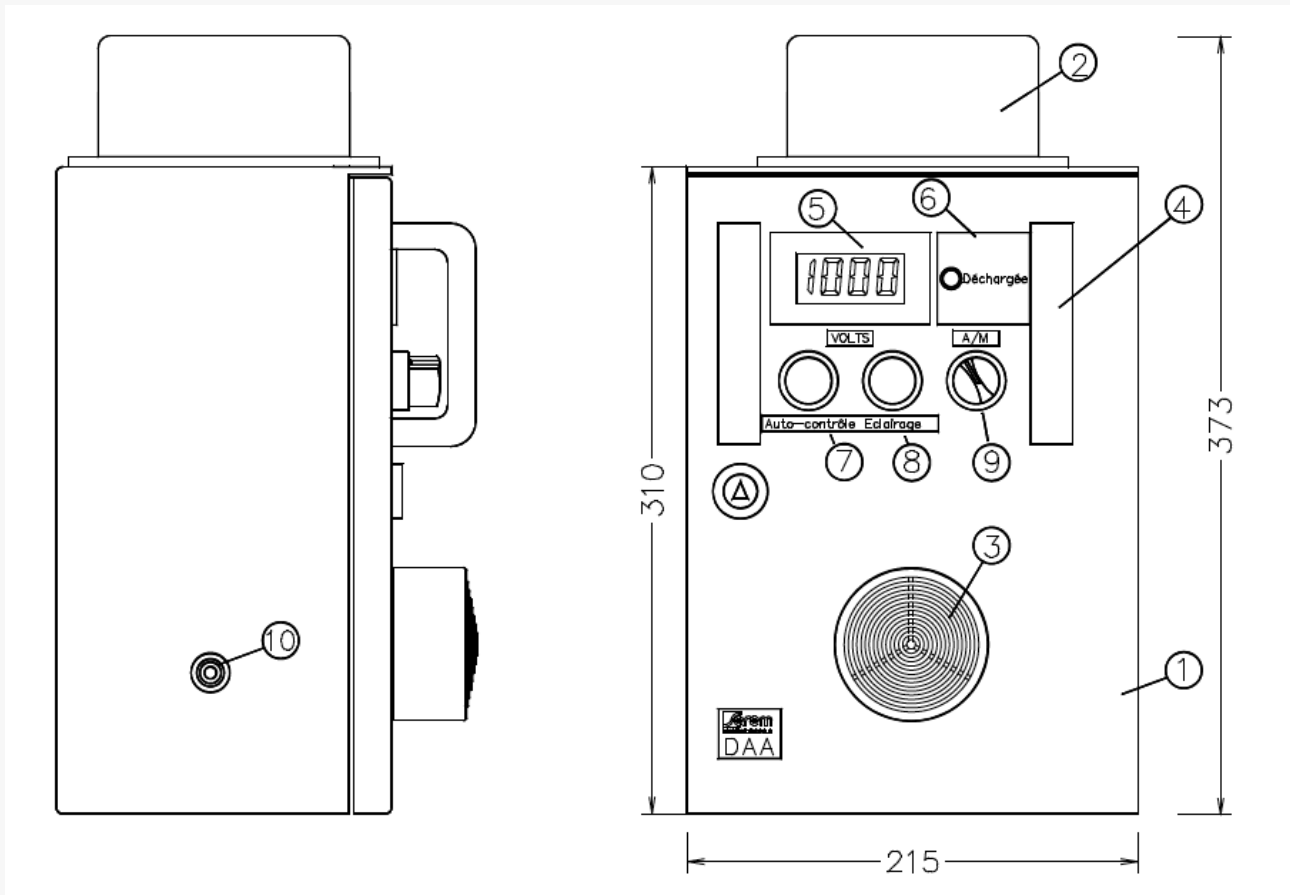


DAA

AUTONOMOUS WARNING DEVICE

DIMENSIONS



LEGEND

N°	DESCRIPTION
1	Plastic box SAREL Ref 59315
2	Flash light CURTIS Ref FXB1224C5S (75 flashes/min)
3	Siren KINGSTATE Ref KPE-1500 (102dB)
4	Black thermoplastic handle (107/40)
5	Digital Indicator LASCAR DPM950 (with rétro-light)
6	"Battery status" LED indicator (load, fast ch., discharged)
7	"Auto-Control" Pushbutton, telemechanics Ref XB4-BA21
8	"Lighting" Pushbutton, telemechanics Ref XB4-BA21
9	"On - Off" turning button, telemechanics Ref XB4-BD25
10	Catch charger

