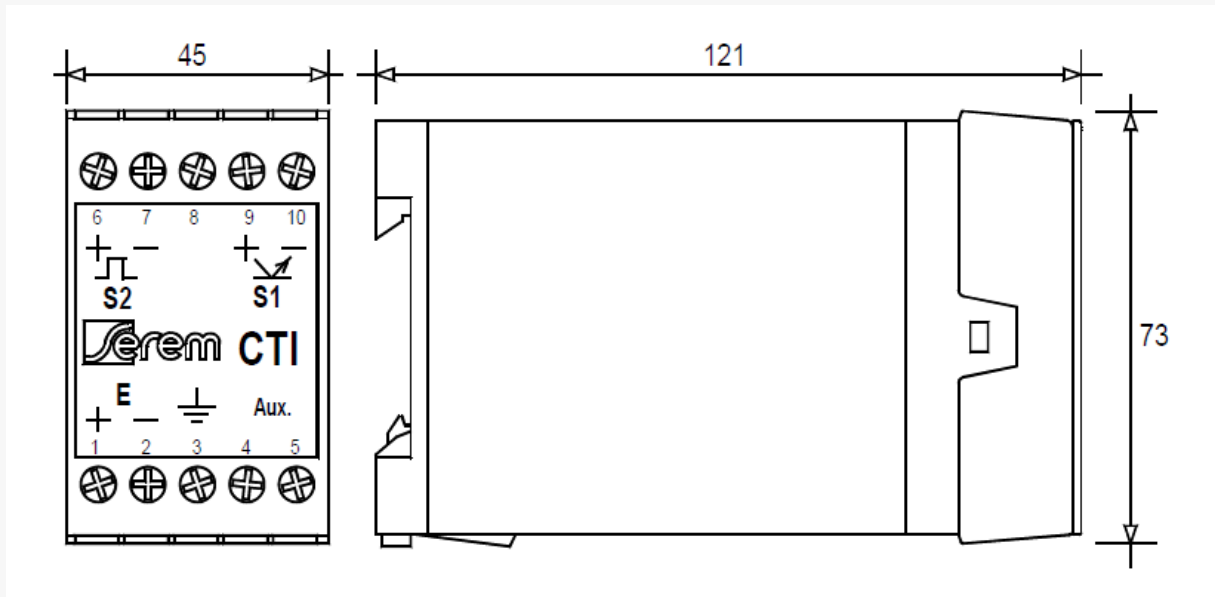


## CTI

## VOLTAGE IMPULSE CONVERTER

### DIMENSIONS



### JUNCTIONS

TERMINAL	DESCRIPTION	
1	Input E-	
2	Input E+	
3	Ground	
4	Aux. Supply Voltage	115 ou 230Vac
5	Aux. Supply Voltage	115 ou 230Vac
6	Output S2+	
7	Output S2-	
8	N.A.	
9	Output S1+	
10	Output S1-	